

# Building Entrance Terminals

SPEED DATA - INDOOR - 110 & RJ45 CONNECTOR SERIES

# CircaMax

Supporting a World of Communications

## UL497 Primary Protector for Communication Circuits

NAFTA Country of Origin: CANADA - All Models are "Buy America Act" Approved.

These Solid State devices are designed to protect High-Speed 4 Pair CAT6 outside plant cables at speeds of up to 10 gigabit at 250 MHz and clamping speeds of 1-5 nanoseconds. Rated for UL497/UL497B the 75v series is ideal for ISDN, VOIP and PoE/PoE+ applications.

### Features & Benefits

- Certified Category 6
- Frequencies up to 250 MHz
- Equipped with an Internal Fuse Link
- Exceeds UL497/UL497B Protection Standards
- 16 AWG Powder Coated Steel
- 110 Connector Accepts 22-26 AWG Solid or Standard Copper Wire

110—RJ45 Series



110—110 Series



Model Number	Clamping Voltage	Pair Count	Input	Output	Dimensions (H" x W" x D")	Weight (lbs)
604-30110	30v	4	110	110	5.50 x 2.67 x 1.65	2.0
604-30RJ	30v	4	110	RJ45	5.50 x 2.67 x 1.65	2.0
604-75110	75v	4	110	110	5.50 x 2.67 x 1.65	2.0
604-75RJ	75v	4	110	RJ45	5.50 x 2.67 x 1.65	2.0



International Sales • Toll Free Tel: 1-877-257-4588 • Email: sales@circamax.com

Main Office: 535, 10333 Southport Rd. SW, Calgary, AB, Canada T2W 3X6  
 Ontario Office: 206 Great Gulf Drive, Vaughan, Ontario, Canada L4K 5W1  
 Florida Office: 140, 8270 Woodland Center Blvd, Tampa, FL 33614



[www.circamax.com](http://www.circamax.com)

# Building Entrance Terminals

SPEED DATA - INDOOR - 110 & RJ45 CONNECTOR SERIES

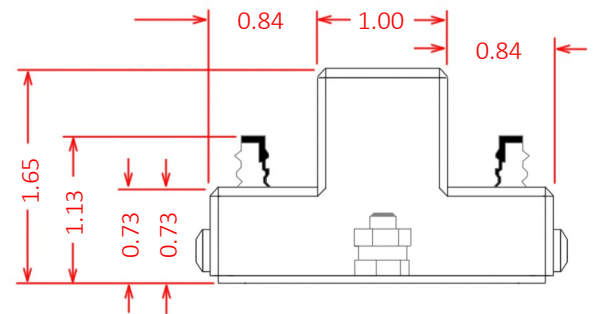
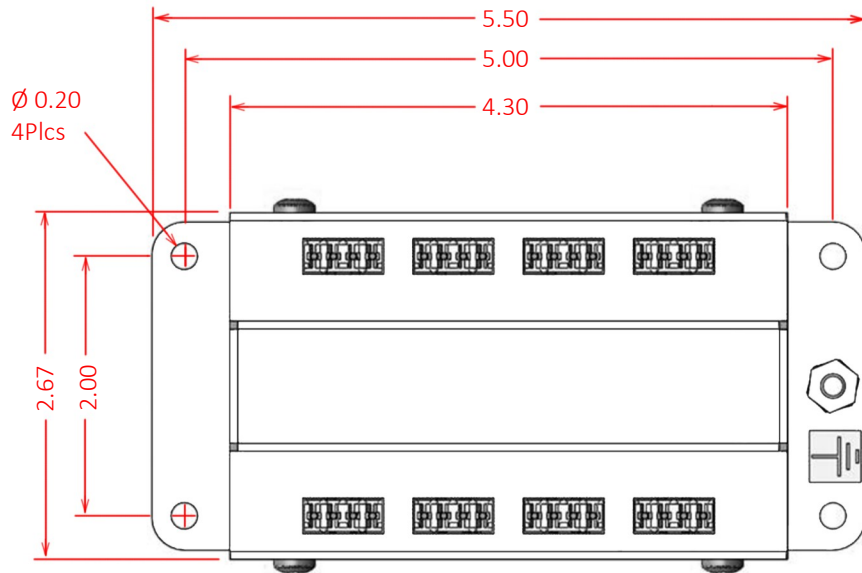


Supporting a World of Communications

## UL497 Primary Protector for Communication Circuits

Physical Dimensions (5.50 x 2.67 x 1.65)  
(H" x W" x D")

### 110 - 110 Connector Series



### 110 - RJ45 Connector Series

